

## Pipe Suspension Grab



Fig. 1 - Model RSV/3-leg

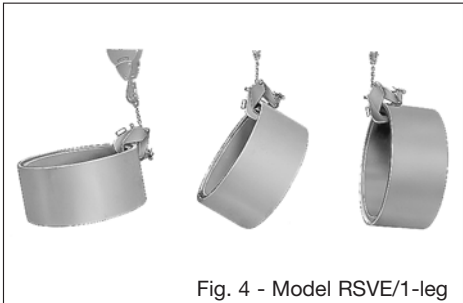


Fig. 4 - Model RSVE/1-leg

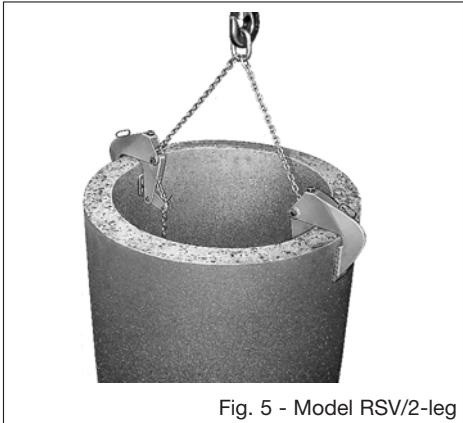


Fig. 5 - Model RSV/2-leg

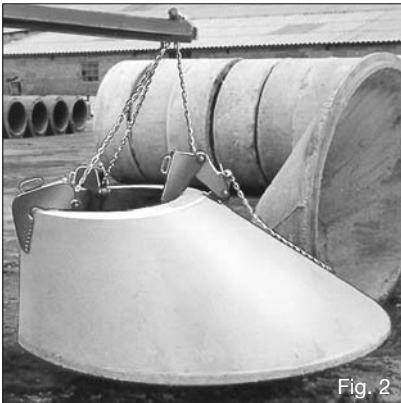


Fig. 2



Fig. 3

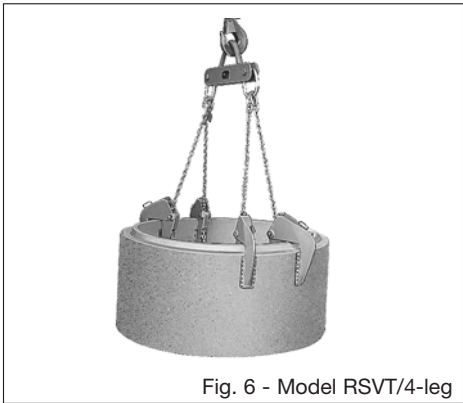
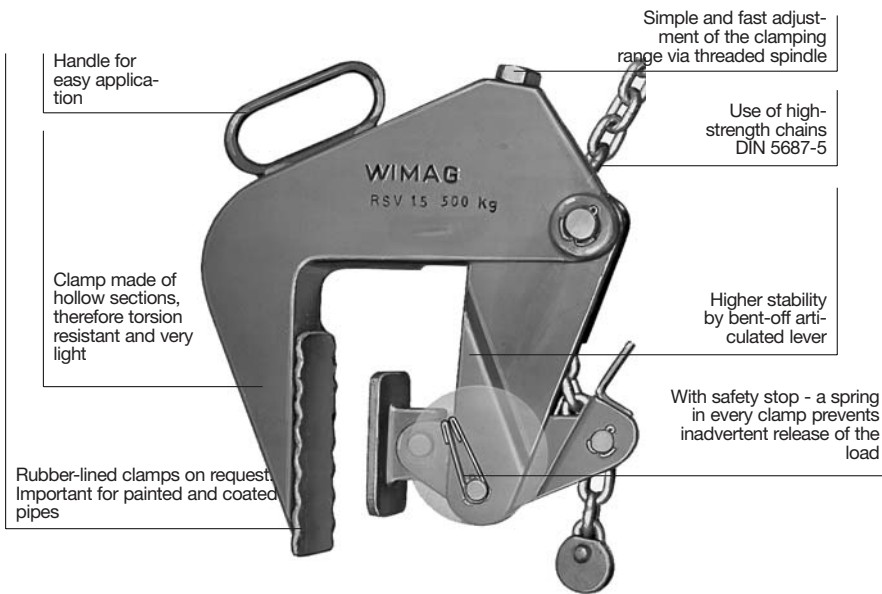


Fig. 6 - Model RSVT/4-leg

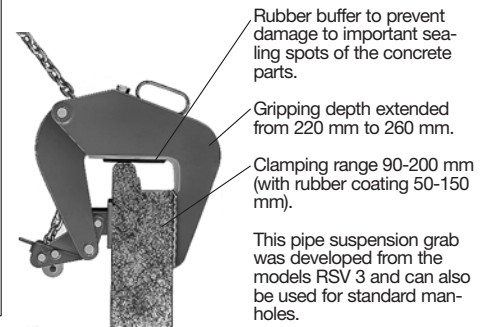
The Original For Your Safety . . .

**Only an original WIMAG pipe suspension grab can provide all advantages:**



**Problem:**  
The handling of prefabricated manholes according to **DIN 4032 Part 1** with socket end for axial seal.

**Solution:**  
The WIMAG pipe suspension grab RSV ... D offering the following advantages:



Models RSV ... D.

**A rubber-coated pipe suspension grab is needed for smooth, painted or coated manholes!**

Order No.	Model	Carrying Capacity kg	Number Of Clamps	Contact Surface Of Clamps	Clamping Range mm	Manhole Inside Diameter m	Chain Length m	Weight Approx. kg
-----------	-------	----------------------	------------------	---------------------------	-------------------	---------------------------	----------------	-------------------

**Pipe suspension grabs for manholes according to DIN 4034 Part 2:**

110 010	<b>RSV 1,5</b>	1.500	3	steel/serrated	40-120	0,4-2	1,5	31
110 011	RSVL 1,5	1.500	3	steel/serrated	40-120	0,4-3	2,0	33
110 020	RSVG 1,5	1.500	3	rubber-coated	0-70	0,4-2	1,5	34
110 510	<b>RSV 3</b>	3.000	3	steel/serrated	50-180	0,4-2	1,6	55
110 511	RSVL 3	3.000	3	steel/serrated	50-180	0,4-3	2,2	58
110 520	RSVG 3	3.000	3	rubber-coated	0-130	0,4-2	1,6	55
110 530	RSV 3/230	3.000	3	steel/serrated	90-230	0,4-2	1,6	54
110 531	RSVL 3/230	3.000	3	steel/serrated	90-230	0,4-3	2,2	58
110 540	RSVG 3/180	3.000	3	rubber-coated	50-180	0,4-2	1,6	56
110 110	RSVE 0,5	500	1	steel/serrated	40-120	-	0,8	10
110 610	RSVE 1	1.000	1	steel/serrated	50-180	-	0,8	17
110 210	RSV 1	1.000	2	steel/serrated	40-120	0,4-2	1,5	21
110 710	RSV 2	2.000	2	steel/serrated	50-180	0,4-2	1,6	33
110 850	RSVT 4	4.000	4	steel/serrated	50-180	1-2,5	1,6	82

**Pipe suspension grabs for manholes according to DIN 4034 Part 1 and 2:**

110 515	<b>RSV 3/200 D</b>	3.000	3	steel/serrated	90-200	0,4-2	1,6	69
110 516	RSVL 3/200 D	3.000	3	steel/serrated	90-200	0,4-3	2,2	73

Models printed in bolt type are available ex store.