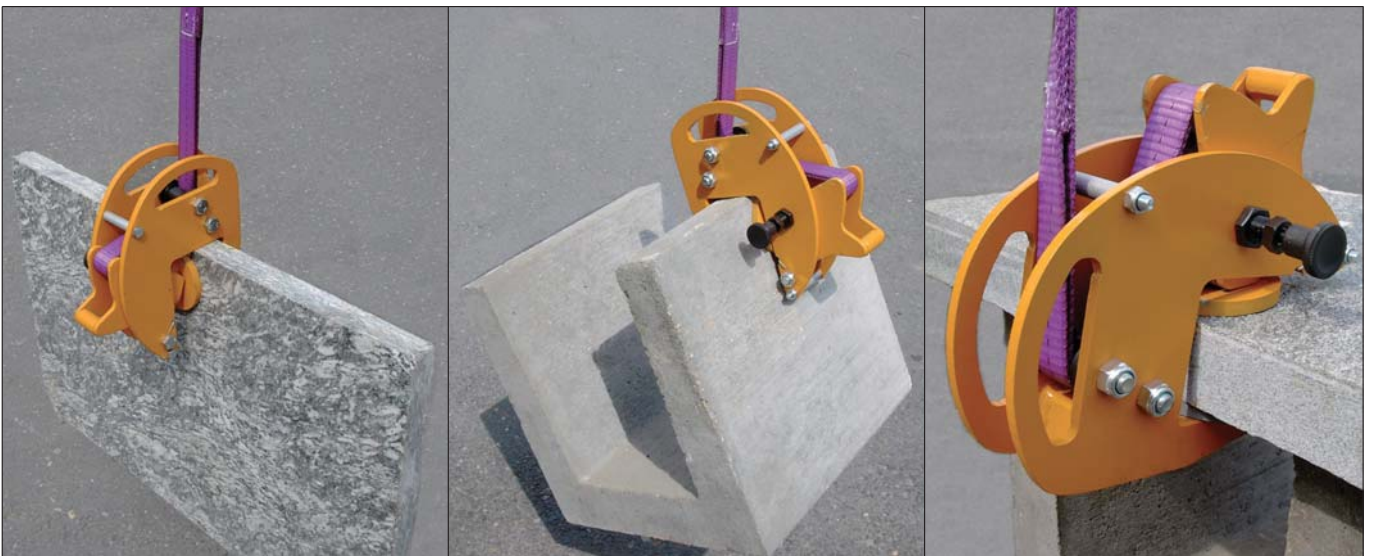
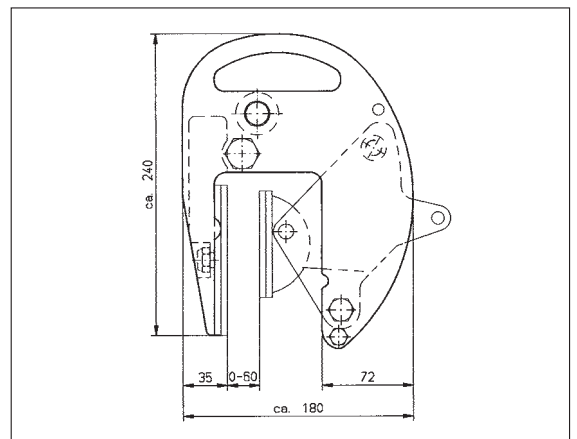


300

Flat Clamp



- **Great safety** due to huge multiplication of 5:1.
- **Web sling** instead of chain/rope: low weight, no twisting, no injuries.
- The **narrow jaw** enables the putting down of upright plates or the erection of plates. Even tightly positioned upright plates can be gripped.
- No damage to the plate surface due to **rubber coating**.
- **Spring tension** prevents an inadvertent slipping down of the clamp.
- **Easy handling** by compact and convenient construction.
- Suitable for nearly **all materials**.



Order No.	Model	Carrying Capacity	Clamping Range	Weight
300 100	FZ 0.8	800 kg	0-60 mm	6 kg

Patent Application Made.

*The clamp with the huge multiplication of 5:1
for the safe transport of plates.*