

Flat Grab



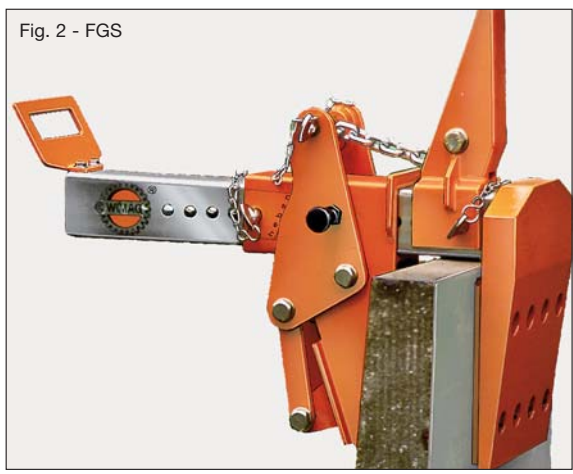
Fig. 1 - FG

Application Made for Patent.

- **Safe Transport of Concrete Parts via High Pressure**
- **Adjustable Suspension Eye for Center of Gravity Compensation**

FGS

Flat Grab FGS with Adjustable Suspension Eye for the Safe Handling of Concrete Parts.



The Flat Grab FGS was developed for handling rough stones and concrete parts with parallel surfaces.

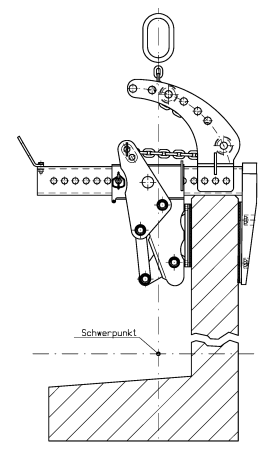
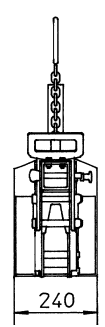
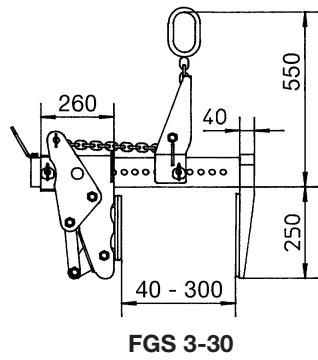
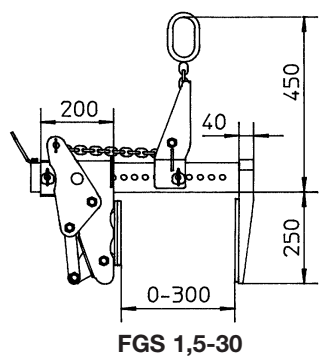
The high pressure guarantees safe handling. One clamping jaw is adjustable. The narrow construction of the second clamping jaw is welded to one end of the beam. This narrow construction enables the grasping, tensioning and the safe **upright setting** of horizontally positioned concrete parts. Due to the **adjustable suspension ring**, e.g. L-shaped stones can be put into an upright position.

The FGS is equipped **with exchangeable rubber coatings**.

The FGS can be used near to the ground together with any lifting equipment.

For picking up the load, a bolt is pulled which snaps in by itself when the load is put down and the grab **opens automatically**.

Due to a high-strength chain the FGS has a **low net weight**. The guide handle enables an **exact positioning** of the load. The grab is coloured orange, RAL 2000. The beam and the connecting elements are galvanized. The application has been made for patent.

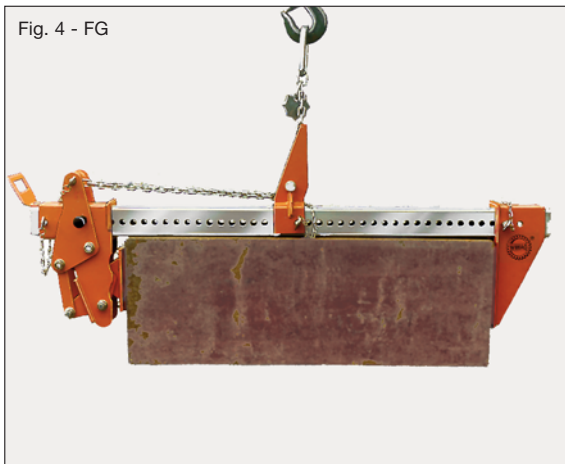


FGS with special suspension for L-shaped stones

Order No.	Model	Carrying Capacity	Clamping Range	Weight
315 030	FGS 1.5-30	1,500 kg	0 - 300 mm	47 kg
315 035	Special suspension FGS 1,5-30			
315 994	Automatic FGS 1,5			
315 040	FGS 3-30	3,000 kg	40 - 300 mm	81 kg
315 045	Special suspension FGS 3-30			
315 995	Automatic FGS 3			

FG / FGB

Flat Grab FG / FGB for the Safe Handling of Wide Loads.

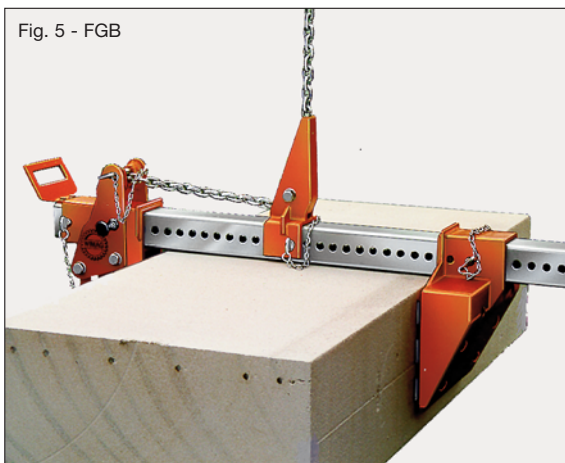


The Flat Grab FG was developed for the handling of rough stones and concrete parts with parallel surfaces.

High pressure guarantees safe handling.

The complete clamping range of both clamping jaws is adjustable.

Due to the **adjustable suspension eye**, parts with an eccentric center of gravity can also be held in a horizontal position. The FG is equipped with exchangeable rubber coatings.



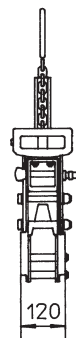
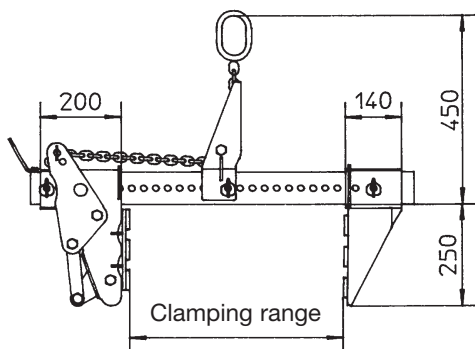
The Flat Grab FG can be used near to the ground with any lifting equipment.

For picking up the load, a bolt is pulled which snaps in by itself when the load is put down and the grab **opens automatically**.

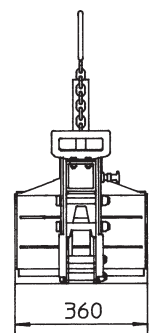
Due to a high-strength chain the FG has a **low net weight**.

The model **FGB** has wide clamping jaws and is used for handling delicate parts.

The grab is coloured orange, RAL 2000. The beam and the connecting elements are galvanized.



FG



FGB

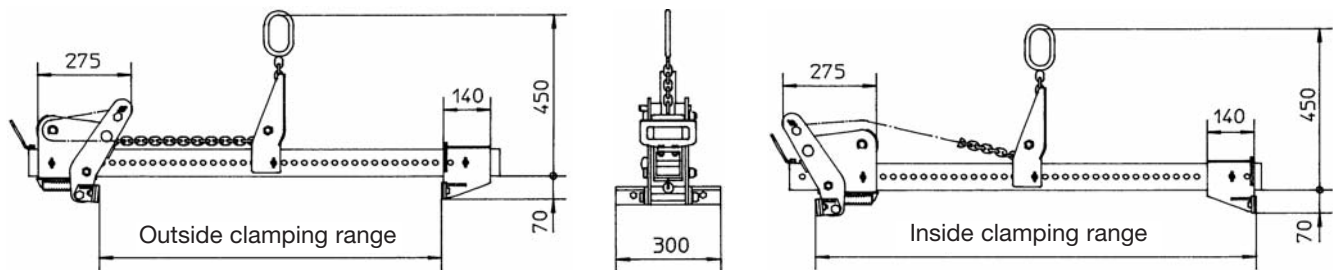
Order No.	Model	Carrying Capacity	Clamping Range	Jaw Width	Weight
315 050	FG 1.5- 50	1,500 kg	0- 500 mm	120 mm	40 kg
315 100	FG 1.5- 100	1,500 kg	0- 1,000 mm	120 mm	47 kg
315 150	FGB 1.5- 50	1,500 kg	0- 500 mm	360 mm	54 kg
315 200	FGB 1.5- 100	1,500 kg	0- 1,000 mm	360 mm	60 kg
315 994	Automatic FG/FGB				

PG

Plate Grab PG for the Safe Handling of Plates from a Horizontal Position



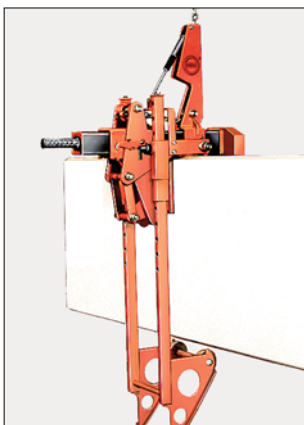
The Plate Grab PG was developed for handling rough plates with parallel surfaces. The high lever transmission guarantees **high pressure**. By turning the clamping jaws, parts can also be gripped from the inside. The PG is equipped with exchangeable rubber coatings. The equipment is orange in colour, RAL 2000.



Order No.	Model	Carrying Capacity	Outside Clamping Range	Inside Clamping Range	Weight approx.
315 400	PG 1.5-100	1,500 kg	0 - 1,000 mm	450 - 1,350 mm	44 kg

Special Constructions

The Accident Prevention Regulation VBG 9a “Load-Handling Equipment for Hoisting System Service” requires a protective device for the operation of grabs **near to the ground** to prevent the load or parts of the load from falling down. The following special constructions have already been built:



Flat Grab equipped with a catch hook for the laying of AAC wall panels near to the ground.



Flat Grab FGB-4.5-95 special construction, carrying capacity 4,500 kg clamping range 450-950 mm.

Enquire about our special constructions.