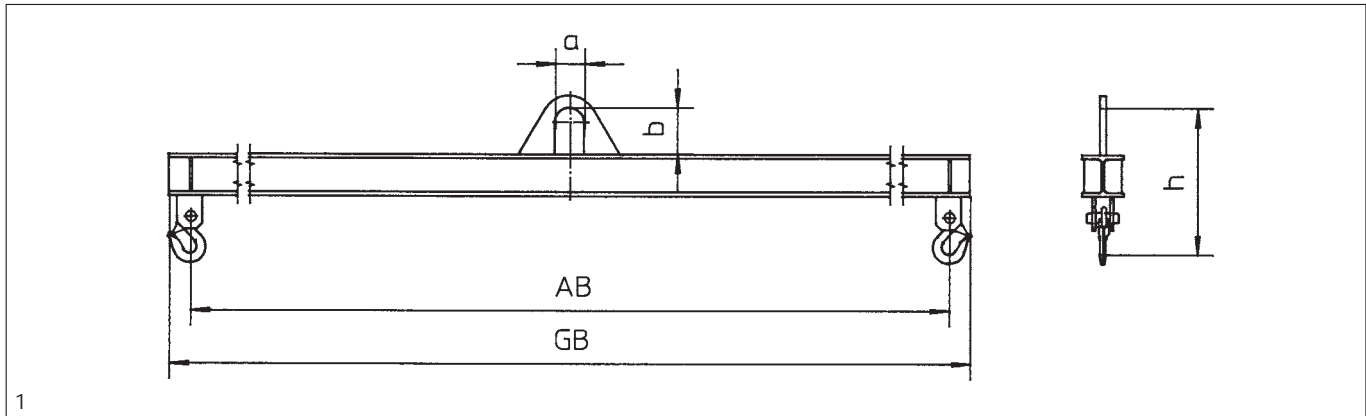


## Lifting Beams



- *Standard lifting beams constructed from light single section steel*
- *Versatile combination possibilities for any economical solution*
- *Special custom-made lifting beams for all applications*
- *Construction according to UVV-VBG 9a "Regulations For The Prevention Of Accidents - Load Handling Equipment For Hoisting System Service"*

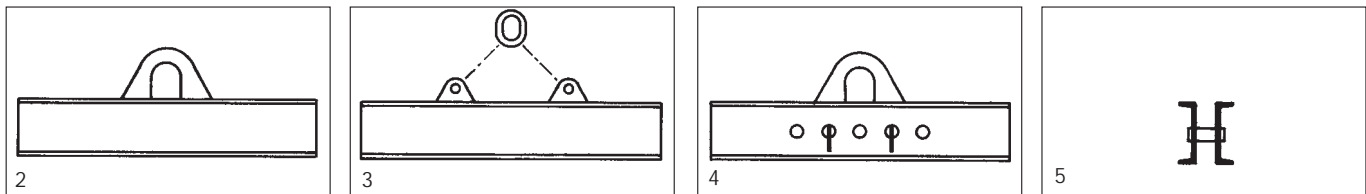
## WIMAG Lifting Beams (Fixed) - TS



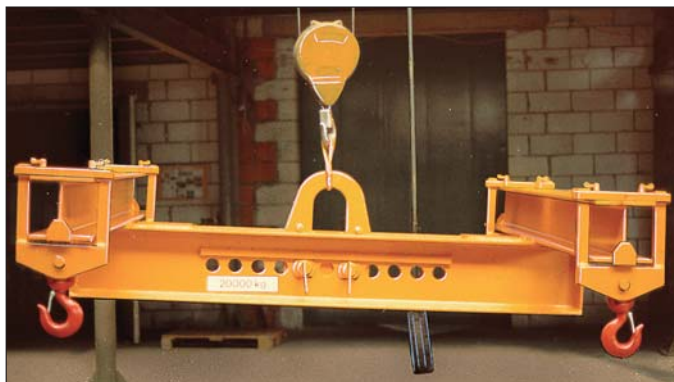
Order No.	Model	Carrying Capacity kg	Working Width AB mm	Total Width GB Approx. mm	Construction Height h Approx. mm	Suspension Eye		Weight Approx. kg
						a mm	b mm	
405 060	TS 1/2	1.000	2000	2100	340	70	110	40
405 070	TS 1/3	1.000	3000	3100	340	70	110	60
405 080	TS 1/5	1.000	5000	5100	380	70	110	140
405 082	TS 2/2	2.000	2000	2100	370	70	110	60
405 084	TS 2/3	2.000	3000	3100	390	70	110	110
405 086	TS 2/5	2.000	5000	5100	410	70	110	220
405 100	TS 3/2	3.000	2000	2100	430	90	140	80
405 110	TS 3/3	3.000	3000	3100	450	90	140	140
405 120	TS 3/5	3.000	5000	5100	470	90	140	280
405 140	TS 5/2	5.000	2000	2100	480	90	140	90
405 150	TS 5/3	5.000	3000	3100	500	90	140	160
405 160	TS 5/5	5.000	5000	5100	540	90	140	380

Larger carrying capacities available upon request.

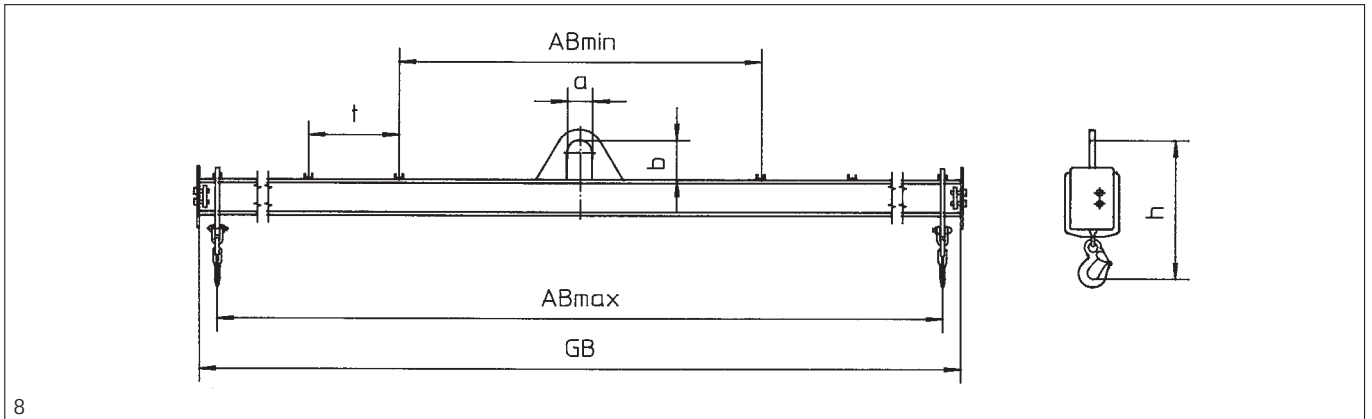
### Examples of suspension possibilities:



### Examples of supplied custom-made lifting beams:

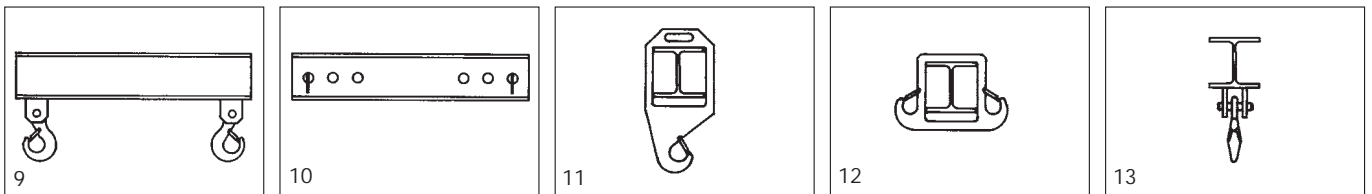


## WIMAG Lifting Beams (Adjustable) - TV



Order No.	Model	Carrying Capacity kg	Working Width AB		Sections t mm	Total Width GB Approx mm	Construction Height h Approx mm	Suspension Eye		Weight Approx. kg
			min. mm	max. mm				a mm	b mm	
405 065	TV 1/2	1.000	1000	2000	125	2125	380	70	110	45
405 075	TV 1/3	1.000	1000	3000	125	3125	380	70	110	65
405 085	TV 1/5	1.000	1000	5000	250	5125	435	70	110	150
405 087	TV 2/2	2.000	1000	2000	125	2125	425	70	110	70
405 089	TV 2/3	2.000	1000	3000	125	3125	445	70	110	125
405 091	TV 2/5	2.000	1000	5000	250	5125	465	70	110	235
405 105	TV 3/2	3.000	1000	2000	125	2125	495	90	140	100
405 115	TV 3/3	3.000	1000	3000	125	3125	500	90	140	160
405 125	TV 3/5	3.000	1000	5000	250	5125	520	90	140	310
405 145	TV 5/2	5.000	1000	2000	125	2125	550	90	140	120
405 155	TV 5/3	5.000	1000	3000	125	3125	575	90	140	200
405 165	TV 5/5	5.000	1000	5000	250	5125	620	90	140	420

### Examples of load handling:



From our wide base of knowledge and experience we will find an economical solution for your problem.



# 405

## Lifting Beams For Boxes With Mesh Side Panels

The **WIMAG lifting beams for boxes with mesh side panels** are specially designed to grip standard boxes with mesh side panels built according to DIN 15 155. Therefore you need no longer rely solely on industrial trucks for the indoor transport of these boxes with mesh side panels.

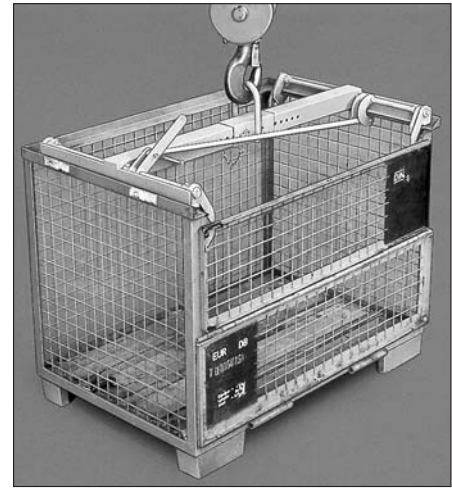
Order No.	Model	Carrying Capacity kg	Weight Approx kg	Dimensions Approx.		
				L mm	B mm	H mm
<i>Lifting beam for boxes with mesh side panels</i>						
405 010	GTV 1	1.000	45	1210	700	200
<i>H-lifting beam for boxes with mesh side panels</i>						
405 510	GHT 1	1.000	55	1300	700	500

### Lifting beam GTV for boxes with mesh side panels

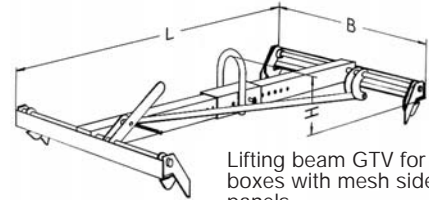
The lifting beam for boxes with mesh side panels is attached to the inside of the superior frame of the box and locked by single-operator control. It is necessary to attach to the inside when the boxes are packed closely together. Further advantages of the GTV: low construction height, possibilities for adjustment of the suspension hook when the box is unequally loaded.

### H-lifting beam GHT for boxes with mesh side panels

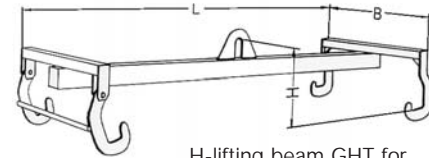
The H-lifting beam is equipped with 2 fixed hooks and 2 swivelling hooks connected by a handle bar which are attached from the outside to the superior frame of the box. Single operator control is guaranteed.



GTV



Lifting beam GTV for boxes with mesh side panels



H-lifting beam GHT for boxes with mesh side panels

# 405

## Lifting Beam For Fork Lifts

The **WIMAG lifting beam for fork lifts** - to be mounted to any standard forks - light weight construction - equipped with a centrally built in and swivelling safety load hook - rapid assembly via 2 tommy screws.

Order No.	Model	Carrying Capacity kg	Weight Approx kg
405 550	STS-3,0-0,65	3.000	22

