

PIPE PULLING DEVICE



- The pipe pulling device for concrete and vitrified clay pipes with bell-shaped socket end
- No power or other additional power packs necessary
- Powerfull joining with the hydraulic power pack
- Simple operation by hand pump

Pipe Pulling Device

Pipe pulling device, basic equipment with tensioning cylinder for tensioning on the pipe _____

Pump lever for manual operation _____

Hydraulic power pack with oil tank, pressure gauge and valve _____

Max. pressure: 150 bar

Tensioning arms, adjustable to suit the required pipe outside diameter _____

Pulling cylinder, stroke 300 mm _____

Clamping jaws _____

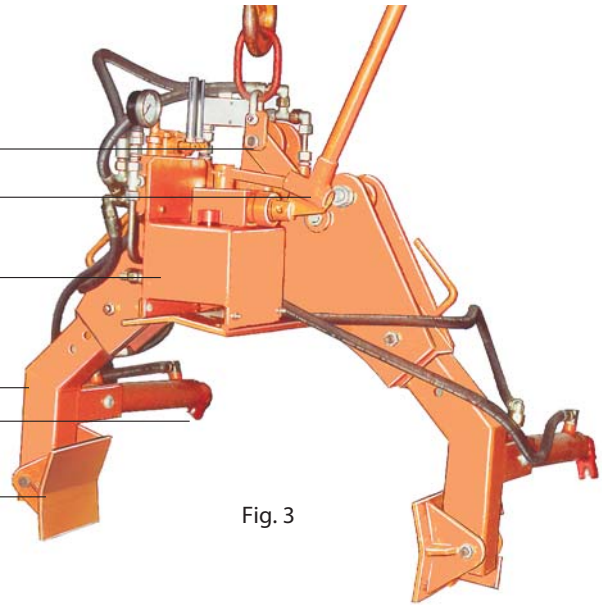


Fig. 3

Working procedure

- Adjust the length of the two clamping arms to suit the new pipe diameter
- Tension the pipe pulling device behind the socket end of the previously laid pipe
- Position the next pipe to be laid
- Fit the pulling bar and fix the pulling chains (Fig. 1)
- Pull the pipe via the two pulling cylinders

Order No.	Model	Pulling Force Max.* Approx. t	For Pipe Outside Diameter mm	Stroke mm	Weight Approx. kg
125 200	RZA-350-750	1.5	350 - 750	300	177
125 300	RZA-600-1250	1.5	600 - 1250	300	317

Delivered unit: standard equipment complete with hydraulic installation, two pulling chains of 15 m length each, pulling bar.

*) The pulling force depends on the pipe weight and the pipe surface. Therefore, a general specification is not possible.